



ZEOS-C

CONVENTIONAL FIRE ALARM DETECTORS



The ZEOS-C series of Fire Alarm Detectors has been designed to be exclusively compatible with the Global Fire Equipment range of conventional detection zones available in the following equipment:

- Conventional Panels: **ORION, ORION MINI, FALCON EX** and **FALCON**.
- Addressable Zone Monitoring Units: **QUAD-ZMU** and **ZMU**.

Certified to EN54-5 and EN54-7 the ZEOS-C series detectors are available in Heat, Smoke and Combined Smoke/Heat detector versions.

TECHNICAL SPECIFICATIONS

SUPPLY VOLTAGE	17-30V DC
CURRENT - QUIESCENT / SURGE	Heat: 7uA / Smoke: 33uA / Smoke & Heat: 35uA
CURRENT - DEVICE IN ALARM	24 mA - Alarm LEDs illuminated
SENSITIVITY / TEMPERATURE	According to EN54-5 or/and EN54-7 A1 & A2
CABLE SIZE	0.5-2.5 mm ²
RESET/START-UP TIMES	20 seconds max.
IP RATING / COLOUR / CASE MATERIAL	IP20 / White / ABS
MAX. HUMIDITY	95% RH Non-Condensing
NORMAL / TRANSIENT OPERATION TEMPERATURE	0°C to 50°C / -10°C to 85°C
DIMENSIONS	100 (D) x 46.4 (H) mm included base
WEIGHT	92g without base and 144g inc. base
COMPATIBILITY	All GFE conventional systems
INSTALLATION	Ceiling mounting

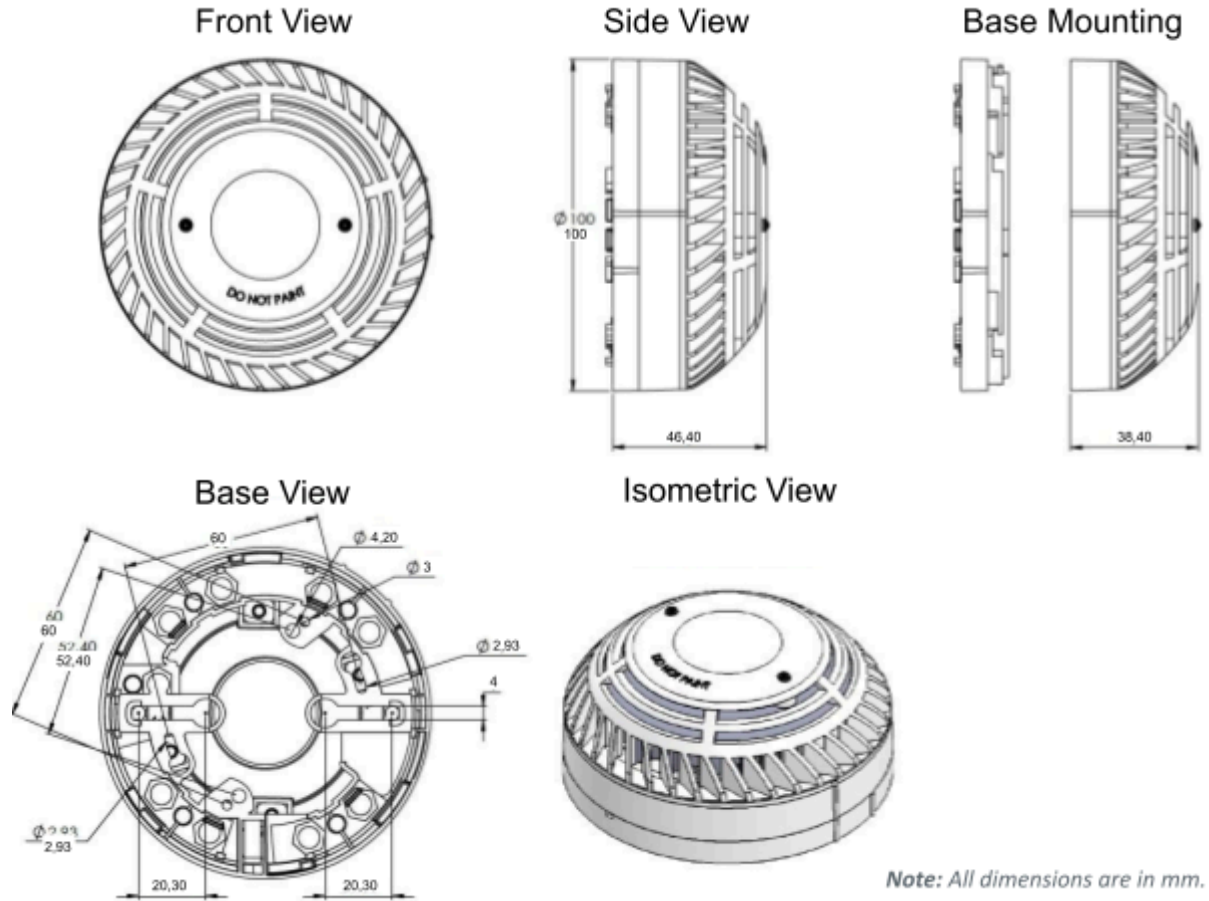


© 240201

Global Fire Equipment SA

Sítio da Barracha, Parque Industrial Municipal Caixa Postal 610-A, 8150-017 São Brás de Alportel, Portugal
Telephone: (00351) 289 896 560 / **Email:** info@globalfire-equipment.com / **Web:** www.globalfire-equipment.com

DIMENSIONS



ORDER CODE

ZEOS-C-S	PHOTOELECTRIC SMOKE DETECTOR	1328-CPR-0705
ZEOS-C-H	FIXED TEMPERATURE/HEAT DETECTOR	1328-CPR-0706
ZEOS-C-SH	MULTISENSOR SMOKE & HEAT DETECTOR	1328-CPR-0704



18

© 240201

Global Fire Equipment SA

Sítio da Barracha, Parque Industrial Municipal Caixa Postal 610-A, 8150-017 São Brás de Alportel, Portugal
 Telephone: (00351) 289 896 560 / Email: info@globalfire-equipment.com / Web: www.globalfire-equipment.com



GSS GROUP